

Safety relays - PSR-SCP- 24DC/SIM4 - 2981936

Please be informed that the data shown in this PDF Document is generated from our Online Catalog. Please find the complete data in the user's documentation. Our General Terms of Use for Downloads are valid (<http://phoenixcontact.com/download>)




Interface module for the connection of several safety sensors or switches with NC/NO contacts to the safety relay PSR-SDC4, with screw connection

Your advantages

- ✓ 4 two-channel N/O or N/C contact inputs
- ✓ Up to Cat. 3/PL d according to ISO 13849-1, SILCL 2 according to IEC 62061, SIL 2 according to IEC 61508 (in conjunction with the PSR-SDC4 master)
- ✓ 4 PLC diagnostic outputs for evaluating the switching state of the safety sensors
- ✓ 4 LEDs as status indicators for the relevant sensor/switch
- ✓ PSR-TBUS connection



Key Commercial Data

Packing unit	1 pc
GTIN	 4 046356 326001
GTIN	4046356326001
Weight per Piece (excluding packing)	140.000 g
Custom tariff number	85364190
Country of origin	Germany

Technical data

Dimensions

Width	22.5 mm
Height	99 mm
Depth	106 mm

Safety relays - PSR-SCP- 24DC/SIM4 - 2981936

Technical data

Ambient conditions

Ambient temperature (operation)	-20 °C ... 55 °C
Ambient temperature (storage/transport)	-40 °C ... 70 °C
Degree of protection	IP20

Supply

Nominal input voltage U_N	24 V DC (from PSR)
Input voltage range in reference to U_N	0.85 ... 1.1

General

Status display	Green LED
Max. permissible current	100 mA (per signal output)
Max. permissible total current	100 mA (alarm outputs)
Nominal operating mode	100% operating factor
Mounting position	any
Assembly instructions	in rows with zero spacing
Designation	Air clearances and creepage distances between the power circuits
Standards/regulations	DIN EN 50178
Rated insulation voltage	50 V DC
Degree of pollution	2
Overvoltage category	III

Connection data

Connection method	Screw connection
pluggable	Yes
Conductor cross section solid	0.2 mm ² ... 2.5 mm ²
Conductor cross section flexible	0.2 mm ² ... 2.5 mm ²
Conductor cross-section AWG	24 ... 12
Stripping length	7 mm
Screw thread	M3

Standards and Regulations

Designation	Air clearances and creepage distances between the power circuits
Standards/regulations	DIN EN 50178
Rated insulation voltage	50 V DC
Rated surge voltage	0.8 kV
Degree of pollution	2
Overvoltage category	III

Environmental Product Compliance

China RoHS	Environmentally Friendly Use Period = 50 years
------------	--

Safety relays - PSR-SCP- 24DC/SIM4 - 2981936

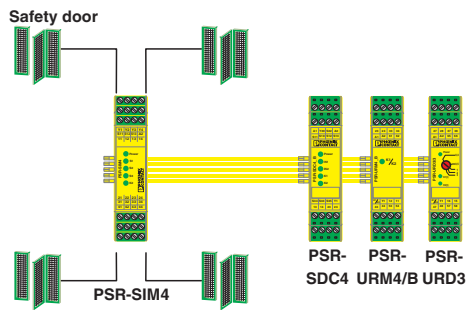
Technical data

Environmental Product Compliance

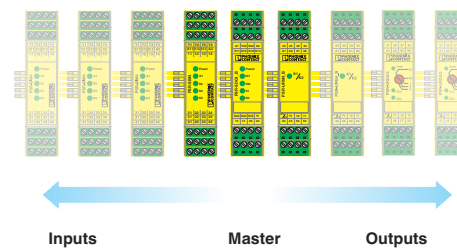
	For details about hazardous substances go to tab "Downloads", Category "Manufacturer's declaration"
--	---

Drawings

Application drawing



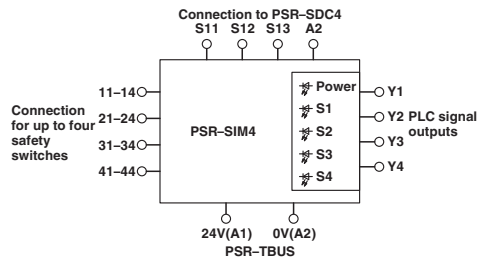
Application drawing



Up to 4 safety door switches can be connected to one PSR-SIM4.

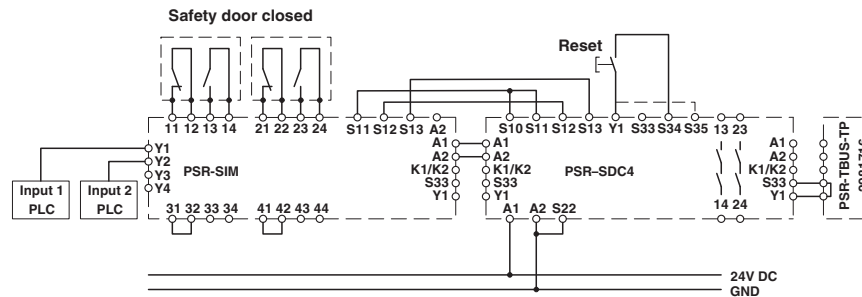
Additional inputs are aligned on the left of the PSR-SDC4, outputs are to its right.

Circuit diagram



Safety relays - PSR-SCP- 24DC/SIM4 - 2981936

Circuit diagram



Contact extension

Classifications

eCl@ss

eCl@ss 10.0.1	27371819
eCl@ss 11.0	27371819
eCl@ss 4.0	40020600
eCl@ss 4.1	40020600
eCl@ss 5.0	27371900
eCl@ss 5.1	27371900
eCl@ss 6.0	27371800
eCl@ss 7.0	27371819
eCl@ss 9.0	27371819

ETIM

ETIM 2.0	EC001449
ETIM 3.0	EC001449
ETIM 4.0	EC001449
ETIM 6.0	EC001449
ETIM 7.0	EC001449

UNSPSC

UNSPSC 6.01	30211901
UNSPSC 7.0901	39121501
UNSPSC 11	39121501
UNSPSC 12.01	39121501

Safety relays - PSR-SCP- 24DC/SIM4 - 2981936

Classifications

UNSPSC

UNSPSC 13.2	39121501
UNSPSC 18.0	39122205
UNSPSC 19.0	39122205
UNSPSC 20.0	39122205
UNSPSC 21.0	39122205

Approvals

Approvals

Approvals

UL Listed / cUL Listed / EAC / EAC / cULus Listed

Ex Approvals

Approval details

UL Listed		http://database.ul.com/cgi-bin/XYV/template/LISEXT/1FRAME/index.htm	FILE E 140324
-----------	--	---	---------------

cUL Listed		http://database.ul.com/cgi-bin/XYV/template/LISEXT/1FRAME/index.htm	FILE E 140324
------------	--	---	---------------

EAC		EAC-Zulassung
-----	--	---------------

EAC		RU C- DE.A*30.B.01082
-----	--	--------------------------

cULus Listed		
--------------	--	--

Safety relays - PSR-SCP- 24DC/SIM4 - 2981936

Accessories

Accessories

DIN rail connector

DIN rail bus connectors - PSR-TBUS - 2890425



DIN rail connector for safety switching devices, for supplying/controlling/monitoring (depending on the module)

DIN rail bus connectors - PSR-TBUS-TP - 2981716



Blind plug for the PSR-TBUS DIN rail connector used with the modular safety relay system (PSR-SDC4)
